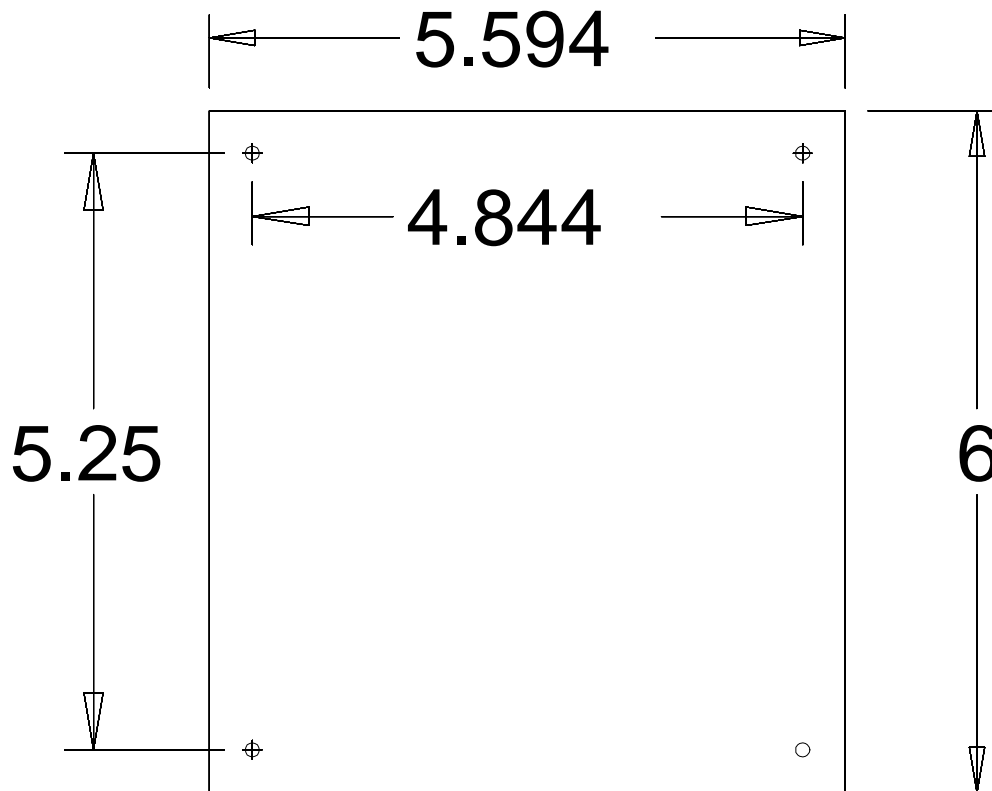
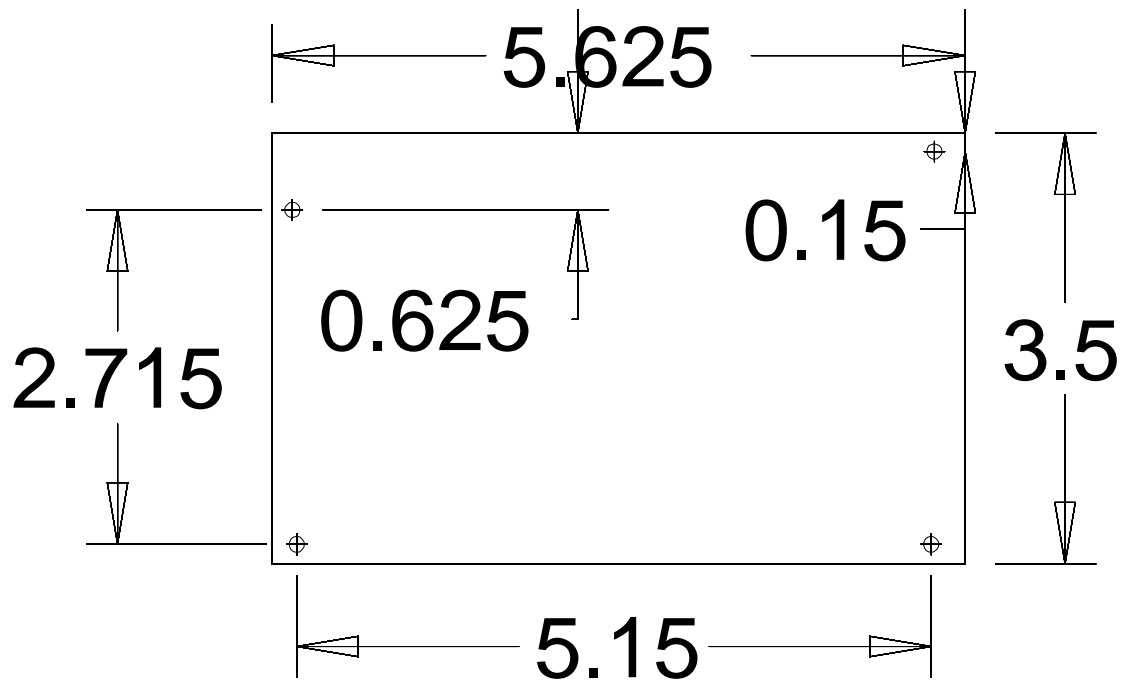


Board dimentions



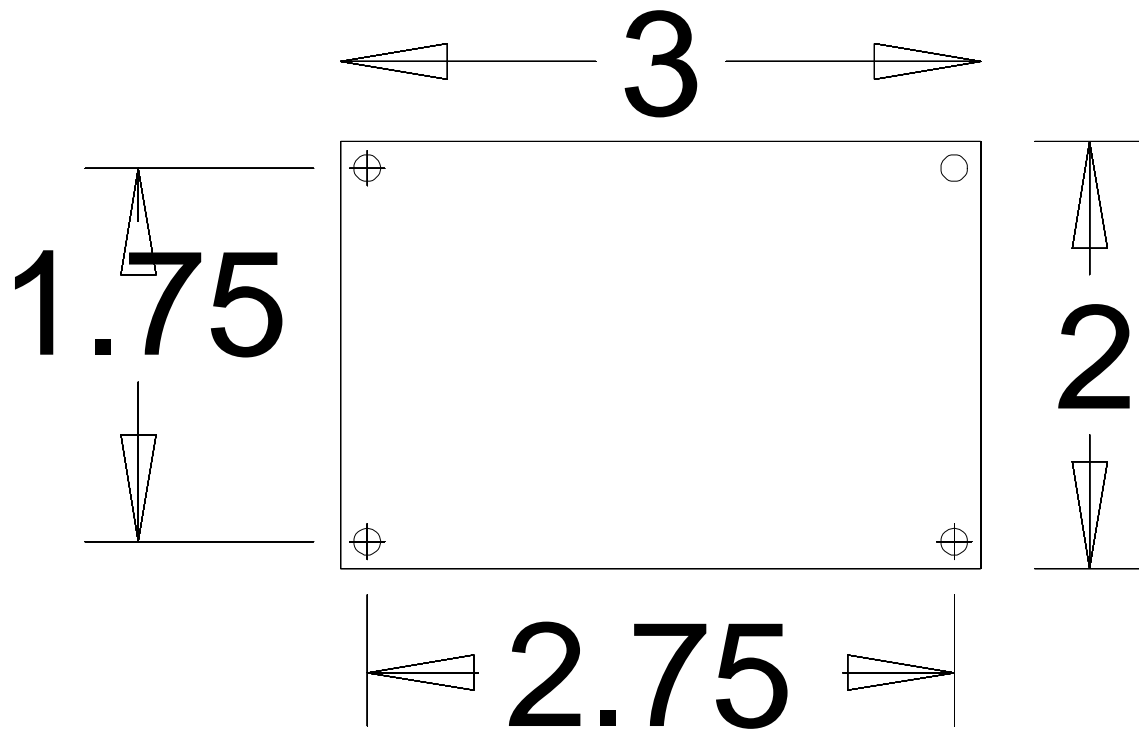
Breakout board and the Combo board

Board dimentions



Special Bob I/O board

Board dimentions



Relay board